

WALL PACKS

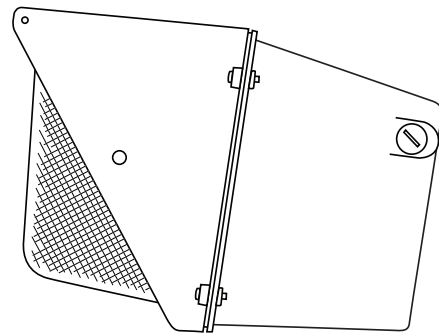
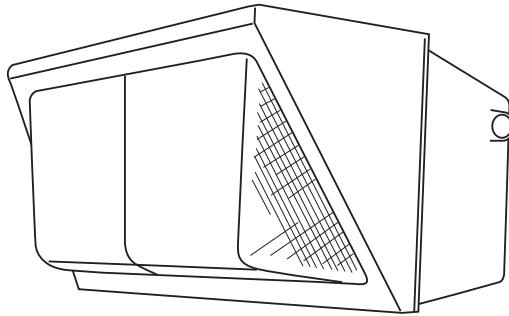
Application

Induction system luminaires provide reliable lighting for the most demanding applications. Performing well indoors or outside, in cold or warm temperatures, induction lighting is the ideal solution for hard to access locations. Available from 55 watts to 165 watts, this wallmount fixture comes in architectural bronze.

Construction

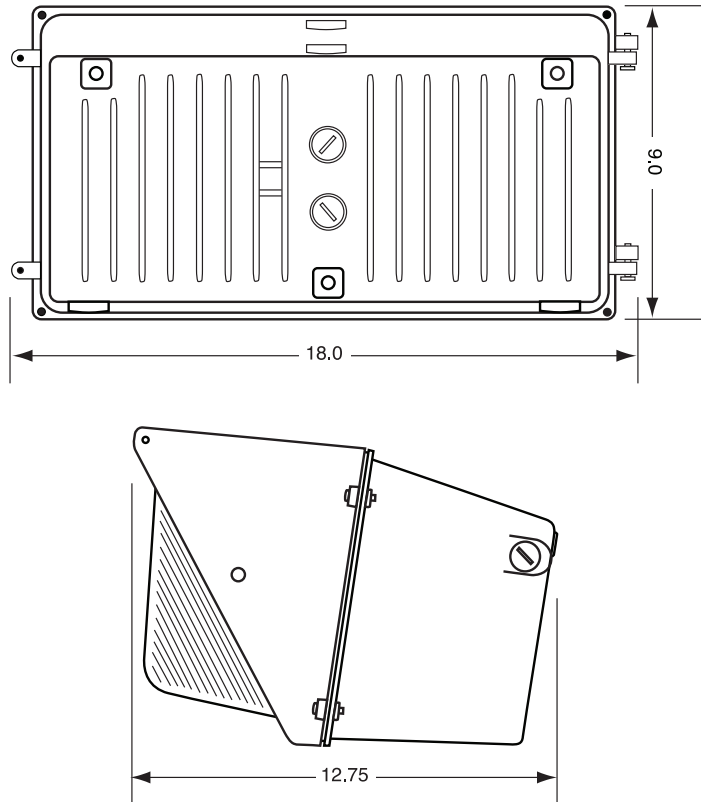
Fixture is constructed from a die cast aluminum housing and injection molded polycarbonate diffuser. Weatherproof neoprene gasketing keeps the fixture moisture and dust proof. Vandal resistant option is available with tamper proof screws. Finish is architectural bronze.

Reflectors are available in white or all grades of specular (86 to 96) aluminum. Material form, fit and thickness meet or exceed all UL 1598 requirements. Computer assisted design provides maximum light output, uniform light distribution, rigid strength and easy service access.



reflect-a-light™

WALL PACKS - DIMENSIONS



Reflectors are available in white or all grades of specular (86 to 96) aluminum.
Material form, fit and thickness meet or exceed all UL 1598 requirements.

Finished in architectural bronze.

Ordering Guide

| | | | | |
|----------------------|-------------------|-----------------------|-----------------------|----------------------|
| WND Series | 1 Lamps | 100 Wattage | SA Material | SM Ballast |
|----------------------|-------------------|-----------------------|-----------------------|----------------------|

Series
WND - Wall Pack
No. of Lamps
1 - One Lamp

Lamp Wattage Icetron Type
70 - 70 Watt
100 - 100 Watt
165 - 165 Watt
Lamp Wattage QL Type
55 - 55 Watt
85 - 85 Watt
165 - 165 Watt

Reflector Material
EA - Enhanced Aluminum
SA - Specular Aluminum
WA - White Aluminum

Electronic Ballast Options
• SM - Std. Multi-volt (120/277)

All photometric reports and IES files are compiled by independent testing laboratories.

1.800.537.1629 www.usenergysciences.com

