

CANOPY FIXTURES

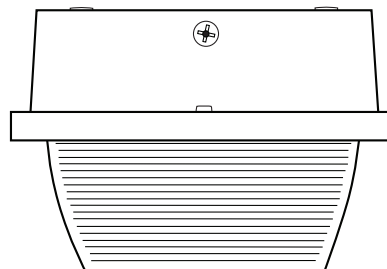
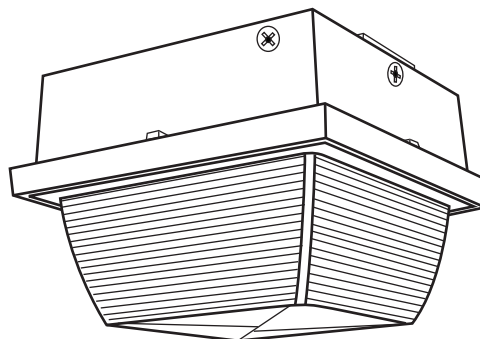
Application

Induction system luminaires provide reliable lighting for the most demanding applications. Performing well indoors or outside, in cold or warm temperatures, induction lighting is the ideal solution for hard to access locations. Available from 55 watts to 165 watts, this surface mount fixture comes in bronze or white.

Construction

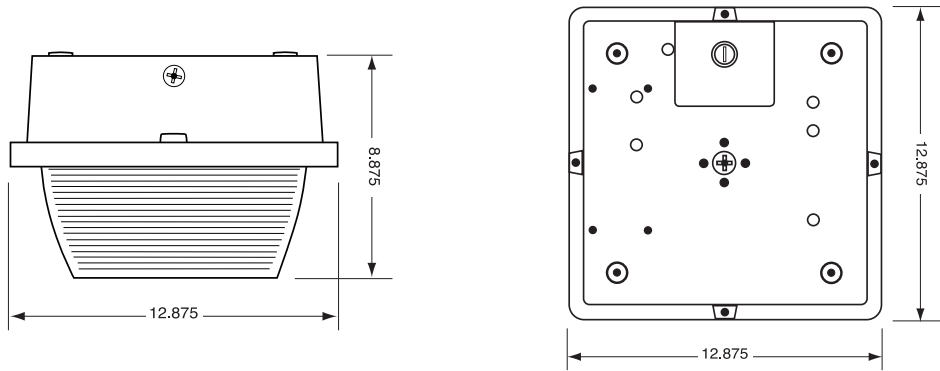
Fixture is constructed from a die cast aluminum housing and injection molded polycarbonate diffuser. Weatherproof neoprene gasketing keeps the fixture moisture and dust proof. Vandal resistant option is available with tamper proof screws. Finishes are architectural bronze or bright white.

Reflectors are available in white or all grades of specular (86 to 96) aluminum. Material form, fit and thickness meet or exceed all UL 1598 requirements. Computer assisted design provides maximum light output, uniform light distribution, rigid strength and easy service access.



reflect-a-light™

CANOPY FIXTURES - DIMENSIONS



Reflectors are available in white or all grades of specular (86 to 98) aluminum.
Material form, fit and thickness meet or exceed all UL 1598 requirements.

Finished in architectural bronze.

Ordering Guide

CND Series	1 Lamps	100 Wattage	12 Length x Width	SA Material	SM Ballast
---------------	------------	----------------	----------------------	----------------	---------------

Series

CND - Surface Mount
(120/277)

No. of Lamps

1 - One Lamp

Lamp Wattage Icetron Type

70 - 70 Watt
100 - 100 Watt
150 - 150 Watt
165 - 165 Watt

Lamp Wattage QL Type

55 - 55 Watt
85 - 85 Watt
165 - 165 Watt

Reflector Material

EA - Enhanced Aluminum
SA - Specular Aluminum
WA - White Aluminum

Electronic Ballast Options

- SM - Std. Multi-volt (120/277)

All photometric reports and IES files are compiled by independent testing laboratories.

1.800.537.1629 www.usenergysciences.com

