

SKF FIXTURES

Residential Solutions

Application

Economical and efficient design for quality lighting in commercial, residential and institutional surface mount applications. The SKF Series uses either 13-watt, 18-watt or 36-watt compact fluorescent lamps and is ideal for halls, closets or anywhere as an incandescent replacement.

Construction

Die formed code gauge steel housing. All painted metal parts are pretreated with a phosphate bonding process and painted with electrostatically applied high temperature baked white enamel for superior quality and durability. Lens is white acrylic for durability.

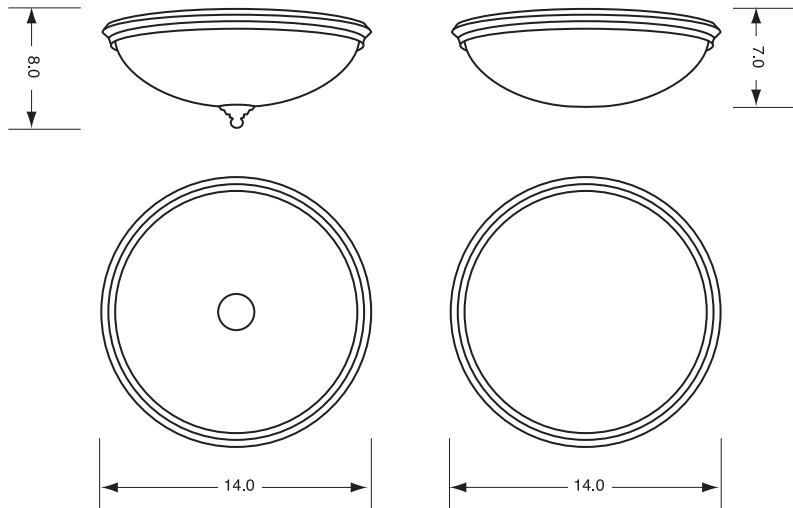
Electrical

Energy saving and electronic Class P, CBM/ETL certified HPF ballast comply with Federal Energy Efficiency Standards; Underwriters Laboratories Inc. listed.



Industry Leaders in Customization + Lead Times for Over 25 Years





Ordering Guide

SKF Series	13 Wattage	W Color
Series SKF - Surface Mount	Lamp Wattage 13 - 13 Watt 18 - 18 Watt 36 - 36 Watt	Fixture Color W - White Finish BR - Brass Finish NI - Nickel Finish

Spec sheet available upon request.

Download catalog PDF's, IES files and cutsheets on our website.

