

KTN - 1X4 Narrow Troffer Kit

N Series

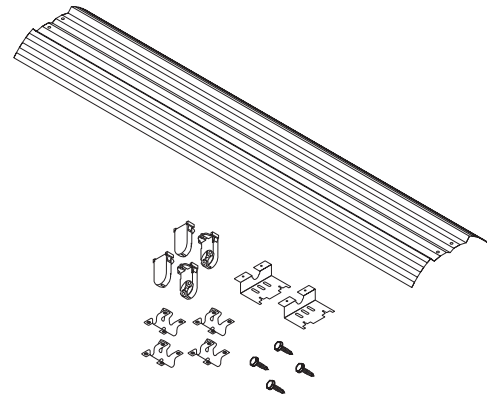
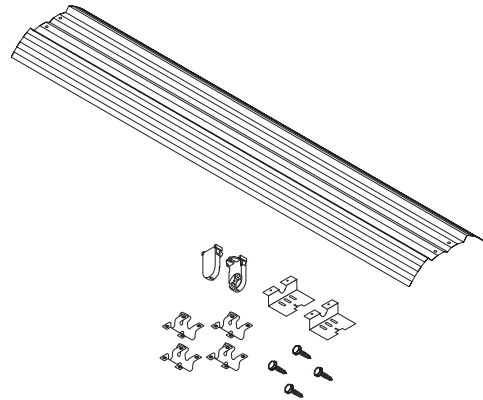
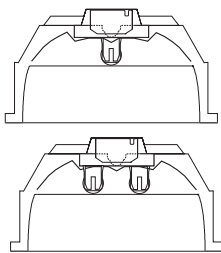
Application

Full coverage reflectors for 1 lamp or 2 lamp prismatic lens and parabolic louver 1x4 luminaires. Maximizes fixture efficiency and provides uniform light distribution. The reflector can be easily removed for ballast maintenance.

Kit Includes

- 1 Reflector
- 2 Brackets
- 2 to 4 Sockets
- 4 Tek Screws
- 4 Quarter Turns

*depends on if a 4ft. or 8 ft. lamp configuration is being used



KTN - Photometrics

reflect-a-light™

Catalog Number:
KTNEA/4-1B

Lamps:
One F32T8

Ballast:
Electronic 1-F32IS

Coefficients of Utilization-Zonal Cavity Method Effective Floor Cavity Reflectance 0.20											
RC	80%				70%				50%		
RW	70%	50%	30%	10%	70%	50%	30%	10%	50%	30%	10%
0	84	84	84	84	82	82	82	82	79	79	79
1	78	76	73	71	77	74	72	70	71	69	68
2	73	68	64	61	71	67	63	60	64	63	59
3	68	65	57	53	66	60	56	52	58	55	51
4	63	55	50	46	63	55	50	46	53	49	45
5	58	50	44	40	57	49	44	40	48	43	40
6	54	45	40	36	53	45	39	36	44	39	35
7	50	41	36	32	49	41	35	32	40	35	31
8	46	37	32	28	45	37	32	28	36	31	28
9	43	34	28	24	42	33	28	24	32	28	24
10	40	31	25	22	39	30	25	22	30	25	22

Plane: 0-DEG 90-DEG
Spacing Criteria: 1.2 1.2
Efficiency: 70.6%
Photometric Certified by: Luminaire Testing Laboratory
Report No.: 3791

Catalog Number:
KTNR/EA/4-2B

Lamps:
Two F32T8

Ballast:
Electronic 2-F32IS

Coefficients of Utilization-Zonal Cavity Method Effective Floor Cavity Reflectance 0.20											
RC	80%				70%				50%		
RW	70%	50%	30%	10%	70%	50%	30%	10%	50%	30%	10%
0	80	80	80	80	78	78	78	78	74	74	74
1	74	71	69	67	72	70	68	66	67	65	64
2	69	64	60	57	67	63	60	57	61	58	55
3	64	58	53	50	62	57	53	49	55	52	49
4	59	52	47	44	58	52	47	43	50	46	43
5	55	47	42	38	53	47	42	38	45	41	38
6	51	43	38	34	50	42	37	34	41	37	33
7	47	39	34	30	46	38	33	30	38	33	30
8	44	35	30	26	43	35	30	26	34	29	26
9	40	32	27	23	39	32	27	23	31	26	23
10	38	29	24	21	37	29	24	21	28	24	21

Plane: 0-DEG 90-DEG
Spacing Criteria: 1.3 1.1
Efficiency: 73.6%
Photometric Certified by: Luminaire Testing Laboratory
Report No.: 1333

Reflector Ordering Guide

KTN Series	N Style	EA Material	4 Length	1 Lamps	B Socket Option
----------------------	-------------------	-----------------------	--------------------	-------------------	---------------------------

Reflector Series

RTN - One piece reflector only

KTN - Socketed kit includes one piece reflector, brackets and self-tapping screws

PKTN - Socketed Kit includes shunted sockets, one piece reflector, brackets and self-tapping screws, with ballast

*Standard bracket height - 1.625"

*Factory recommends Dimension Sheet for 1X4's.

Style

N - One lamp, narrow reflector
 R - One lamp, wide reflector

Material Type

EA - 95% Enhanced Aluminum
 SA - 86% Specular Aluminum
 WA - 91% White Aluminum
 MA - 93% Micro Aluminum

Luminaire Length

2 - 2 feet
 4 - 4 feet

No. of Lamps

1 - One Lamp
 2 - Two Lamps

Socket Options

B - T8 Bi-Pin Socket
 C - T5 Bi-Pin Socket

Download catalog PDF's, IES files and cutsheets on our website.



www.usenergysciences.com
 1.800.537.1629

US Energy Sciences
 reflecting technology™