

KSW - Strip to Wrap Kit

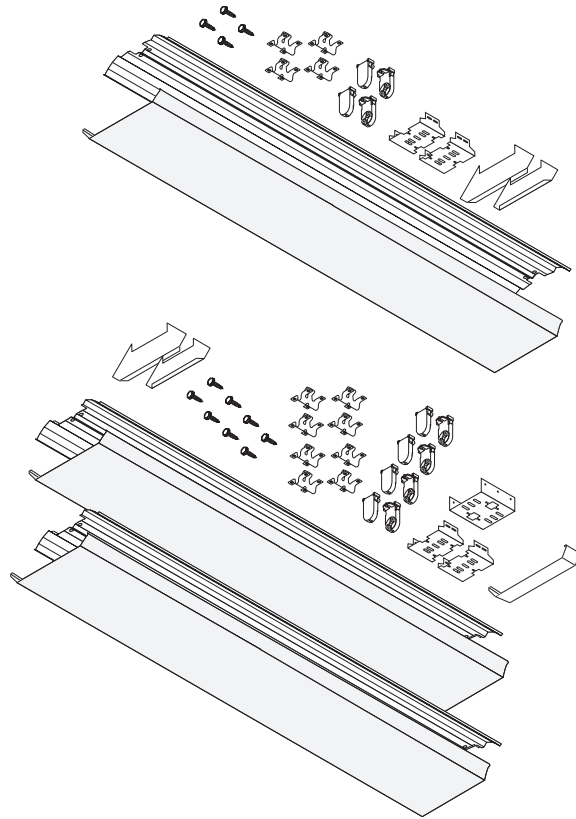
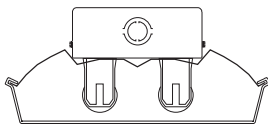
Application

The KSW wrap kits are designed to convert standard strip fixtures to highly efficient one or two lamp 4 ft wraparound; two or four lamp 8 ft wraparounds using either a T8 or T5 lamp configuration. The KSW configuration improves the look of standard strip fixtures without the added cost of new fixtures. Retrofit maximizes fixture efficiency, and provides uniform light distribution and protects lamps. The reflector can be easily removed for maintenance without tools.

Kit Includes

- 1 or 2 Reflectors*
- 2 or 3 Brackets*
- 2 to 8 Sockets*
- 4 to 8 Tek Screws*
- 4 to 8 Quarter Turns*
- 2 End Caps
- 1 or 2 Lens*
- Joint Strap (8 ft. only)

*depends on if a 4ft. or 8 ft. lamp configuration is being used



KSW - Photometrics

reflect-a-light™

Catalog Number:
KSW/EA/4-1B

Lamps:
One F32T8

Ballast:
Electronic 1-F32IS

Coefficients of Utilization-Zonal Cavity Method Effective Floor Cavity Reflectance 0.20											
RC	80%				70%				50%		
RW	70%	50%	30%	10%	70%	50%	30%	10%	50%	30%	10%
0	96	96	96	96	93	93	93	93	87	87	87
1	88	85	8	78	85	82	79	76	77	74	72
2	81	75	70	66	78	73	68	64	68	65	61
3	75	67	61	56	72	65	60	55	61	57	53
4	69	60	54	48	67	58	52	48	55	50	46
5	64	54	47	42	61	52	46	41	50	44	40
6	59	48	42	37	57	47	41	36	45	39	35
7	54	44	37	32	52	43	36	32	40	35	31
8	50	39	32	28	48	38	32	27	36	31	27
9	46	35	29	24	44	34	28	24	33	27	23
10	43	32	26	21	41	31	25	21	30	24	21

Plane: 0-DEG 90-DEG
Spacing Criteria: 1.3 1.5
Efficiency: 82.6%
Photometric Certified by: Luminaire Testing Laboratory
Report No.: 1658

Catalog Number:
KSW/EA/4-2B

Lamps:
Two F32T8

Ballast:
Electronic 2-F32IS

Coefficients of Utilization-Zonal Cavity Method Effective Floor Cavity Reflectance 0.20											
RC	80%				70%				50%		
RW	70%	50%	30%	10%	70%	50%	30%	10%	50%	30%	10%
0	104	104	104	104	102	102	102	102	97	97	97
1	95	91	87	84	93	89	85	82	85	70	80
2	87	80	74	69	84	78	72	68	75	61	66
3	70	70	63	58	77	69	62	57	66	53	56
4	73	63	55	49	71	61	54	49	59	46	48
5	67	55	48	42	65	54	47	42	53	41	41
6	62	50	42	36	60	49	42	36	47	36	36
7	57	45	37	32	55	44	37	32	43	32	31
8	53	41	33	28	51	40	33	28	39	32	27
9	49	37	29	24	47	36	29	24	35	28	24
10	45	33	26	22	44	33	26	21	32	26	21

Plane: 0-DEG 90-DEG
Spacing Criteria: 1.3 1.4
Efficiency: 87.7%
Photometric Certified by: Luminaire Testing Laboratory
Report No.: 1659

Reflector Ordering Guide

KSW Series	4 Channel Width	EA Material	4 Length	2 Lamps	B Socket Option
----------------------	---------------------------	-----------------------	--------------------	-------------------	---------------------------

Reflector Series

RSW - One piece reflector only
 KSW - Socketed Kit includes shunted sockets, one piece reflector, brackets and self-tapping screws
 PKSW - Socketed Kit includes shunted sockets, one piece reflector, brackets and self-tapping screws, with ballast

Channel Width

4 - 4.25 inch width
 5 - 5 inch width (Specify if other width)
 A - Adjustable brackets (T8 Only)

Material Type

EA - 95% Enhanced Aluminum
 SA - 86% Specular Aluminum
 WA - 91% White Aluminum
 MA - 93% Micro Aluminum

Luminaire Length

4 - 4 ft. or 48 Inches
 8 - 8 ft. or 96 Inches

Number of Lamps

1 - One Lamp (4 ft. Only)
 2 - Two Lamps (4 ft. & 8 ft.)
 4 - Four Lamps (8 ft. Only)

Socket Pin Option

B - T8 Bi-Pin Socket
 C - T5 Bi-Pin Socket

Download catalog PDF's, IES files and cutsheets on our website.



www.usenergysciences.com
 1.800.537.1629

US Energy Sciences
 reflecting technology™