

# KSM - 3 & 6 Lamp Reflector Kit

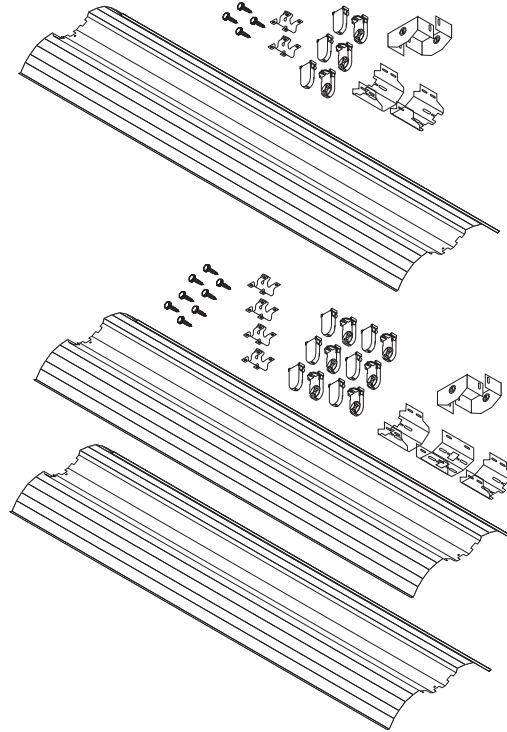
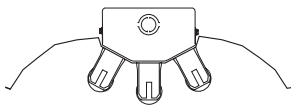
## Application

The KSM reflector kits are designed to convert T12 strip fixtures to highly efficient three lamp T8 or T5 four ft. luminaires or six lamp T8 or T5 eight ft. luminaires. Conversion maximizes fixture efficiency, and provides uniform light distribution. The reflector can be easily removed for ballast maintenance without tools.

## Kit Includes

- 1 or 2 Reflectors\*
- 2 or 3 Brackets\*
- 6 or 12 Sockets\*
- 4 to 8 Tek Screws\*
- 4 to 8 Quarter Turns\*
- 2 End Caps

\*depends on if a 4ft. or 8 ft. lamp configuration is being used



# KSM - Photometrics

reflect-a-light™

**Catalog Number:**  
KSM/EA/4-3B

**Lamps:**  
Three F32T8

**Ballast:**  
Electronic 3-F32IS

Coefficients of Utilization-Zonal Cavity Method Effective Floor Cavity Reflectance 0.20											
RC	80%				70%				50%		
RW	70%	50%	30%	10%	70%	50%	30%	10%	50%	30%	10%
0	104	104	104	104	102	102	102	102	97	97	97
1	95	91	87	84	93	89	85	82	85	82	80
2	87	80	74	69	84	78	72	68	75	70	66
3	70	70	63	58	77	69	62	57	66	61	56
4	73	63	55	49	71	61	54	49	59	53	48
5	67	55	48	42	65	54	47	42	53	46	41
6	62	50	42	36	60	49	42	36	47	41	36
7	57	45	37	32	55	44	37	32	43	36	31
8	53	41	33	28	51	40	33	28	39	32	27
9	49	37	29	24	47	36	29	24	35	28	24
10	45	33	26	22	44	33	26	21	32	26	21

**Plane:** 0-DEG 90-DEG  
**Spacing Criteria:** 1.2 0.9  
**Efficiency:** 87.7%  
**Photometric Certified by:** Luminaire Testing Laboratory  
**Report No.:** 3778

**Catalog Number:**  
KSM/EA/8-6B

**Lamps:**  
Six F32T8

**Ballast:**  
Electronic (2) 3-F32IS

Coefficients of Utilization-Zonal Cavity Method Effective Floor Cavity Reflectance 0.20											
RC	80%				70%				50%		
RW	70%	50%	30%	10%	70%	50%	30%	10%	50%	30%	10%
0	104	104	104	104	102	102	102	102	97	97	97
1	95	91	87	84	93	89	85	82	85	70	80
2	87	80	74	69	84	78	72	68	75	61	66
3	70	70	63	58	77	69	62	57	66	53	56
4	73	63	55	49	71	61	54	49	59	46	48
5	67	55	48	42	65	54	47	42	53	41	41
6	62	50	42	36	60	49	42	36	47	36	36
7	57	45	37	32	55	44	37	32	43	32	31
8	53	41	33	28	51	40	33	28	39	32	27
9	49	37	29	24	47	36	29	24	35	28	24
10	45	33	26	22	44	33	26	21	32	26	21

**Plane:** 0-DEG 90-DEG  
**Spacing Criteria:** 1.2 .09  
**Efficiency:** 87.7%  
**Photometric Certified by:** Luminaire Testing Laboratory  
**Report No.:** 3780

## Reflector Ordering Guide

<b>KSM</b> Series	<b>4</b> Channel Width	<b>EA</b> Material	<b>4</b> Length	<b>3</b> Lamps	<b>B</b> Socket Option
----------------------	---------------------------	-----------------------	--------------------	-------------------	---------------------------

### Reflector Series

RSM - One piece reflector only

KSM - Socketed Kit includes shunted sockets, one piece reflector, brackets and self-tapping screws

PKSM - Socketed Kit includes shunted sockets, one piece reflector, brackets and self-tapping screws, with ballast

### Channel Width

4 - 4.25 inch width

5 - 5 inch width (Specify if other width)

### Material Type

EA - 95% Enhanced Aluminum

SA - 86% Specular Aluminum

WA - 91% White Aluminum

MA - 93% Micro Aluminum

### Luminaire Length

4 - 4 ft. or 48 Inches

8 - 8 ft. or 96 Inches

### Lamps

3 - 3 Lamps (4 ft.)

6 - 6 Lamps (8 ft.)

### Socket Pin Option

B - T8 Bi-Pin Socket

C - T5 Bi-Pin Socket

Download catalog PDF's, IES files and cutsheets on our website.



www.usenergysciences.com  
1.800.537.1629

US Energy Sciences

reflecting technology™