

K64 & K65 - One-Piece Ball and Chain Ballast Pan Strip Kit with No Brackets 6 Series

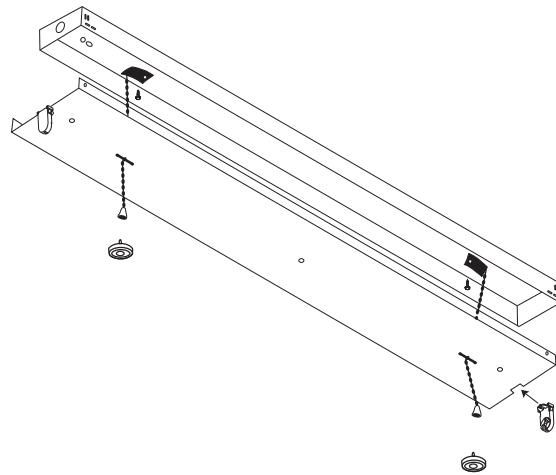
Product Overview

The K64 and K65 (6 Series) is economical and efficient T8 or T5 design for quality lighting retrofit over existing channels. Kit comes complete with electronic ballast attached to the ballast pan, spring clips, retention chains and sockets. A quick and easy retrofit over existing channels of 4.25 inches (K64) to 5 inches (K65).

Kit Includes

- 1 or 2 Ballast Pans*
- 2 to 8 Sockets*
- 4 to 6 Tek Screws*
- 2 to 4 Ballast Bolts*
- 2 to 4 Pal Nuts*
- 2 Arrow Clips
- 2 Ball and Chains
- 2 Plug Caps
- 2 Spring Clips

*depends on if a 4 ft. to 8 ft. lamp configuration is being used



K64 & K65 - Photometrics

reflect-a-light™

Coefficients of Utilization-Zonal Cavity Method Effective Floor Cavity Reflectance 0.20												
RC	80%				70%				50%			
RW	70%	50%	30%	10%	70%	50%	30%	10%	50%	30%	10%	
0	105	105	105	105	102	102	102	102	97	97	97	
1	97	93	89	88	94	91	87	84	86	84	81	
2	89	82	76	72	86	80	75	71	76	72	68	
3	82	73	66	62	79	71	65	60	68	63	59	
NOT AVAILABLE												
5	69	58	50	45	67	57	50	44	55	48	44	
6	64	52	45	40	62	51	44	39	49	43	38	
7	59	47	40	35	57	46	39	34	45	38	34	
8	54	43	35	30	53	42	35	30	40	34	29	
9	50	38	31	26	49	38	31	26	36	30	26	
10	47	35	28	23	45	34	28	24	33	27	23	

Catalog Number:
K64/WS/4-1B

Lamps:
One F32T8

Ballast:
Electronic 1-F32IS

Coefficients of Utilization-Zonal Cavity Method Effective Floor Cavity Reflectance 0.20												
RC	80%				70%				50%			
RW	70%	50%	30%	10%	70%	50%	30%	10%	50%	30%	10%	
0	105	105	105	105	102	102	102	102	97	97	97	
1	97	93	89	88	94	91	87	84	86	84	81	
2	89	82	76	72	86	80	75	71	76	72	68	
3	82	73	66	62	79	71	65	60	68	63	59	
NOT AVAILABLE												
5	69	58	50	45	67	57	50	44	55	48	44	
6	64	52	45	40	62	51	44	39	49	43	38	
7	59	47	40	35	57	46	39	34	45	38	34	
8	54	43	35	30	53	42	35	30	40	34	29	
9	50	38	31	26	49	38	31	26	36	30	26	
10	47	35	28	23	45	34	28	24	33	27	23	

Catalog Number:
K64/WS/8-4B

Lamps:
Four F32T8

Ballast:
Electronic 4-F32IS

Ballast Pan Ordering Guide

K64 Series	4 Channel Width	WA Material	8 Length	2 Lamps	B Socket Option
----------------------	---------------------------	-----------------------	--------------------	-------------------	---------------------------

Ballast Pan Series

G64 or G65 - One piece ballast pan only

K64 or K65 - Socketed Kit includes shunted sockets, ballast pan and self-tapping screws

PG64 or PG65 - Socketed Kit includes shunted sockets, ballast pan and self-tapping screws

Channel Width

4 - K64 - 4.25 inch width
5 - K65 - 5 inch width
(otherwise specify width)

Material Type

WA - 91% White Aluminum

Luminaire Length

3 - 3 ft. or 36 Inches
4 - 4 ft. or 48 Inches
6 - 6 ft. or 72 Inches
8 - 8 ft. or 96 Inches

Number of Lamps

1 - One Lamp
2 - Two Lamps
3 - Three Lamps
4 - Four Lamps

Socket Pin Option

B - T8-Bi-Pin Socket
C - T5-Bi-Pin Socket

Download catalog PDF's, IES files and cutsheets on our website.



www.usenergysciences.com
1.800.537.1629

US Energy Sciences
reflecting technology™