

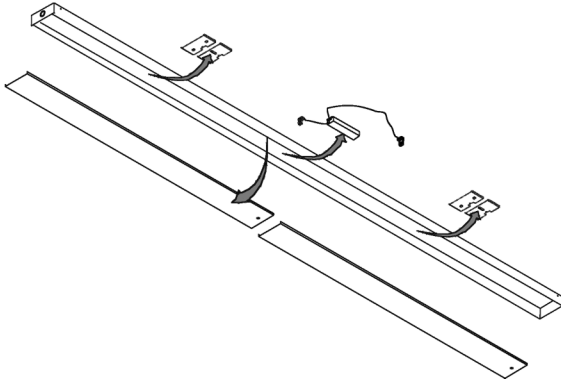
INSTALLATION

KSH, KSL & KSS SERIES Installation Procedures

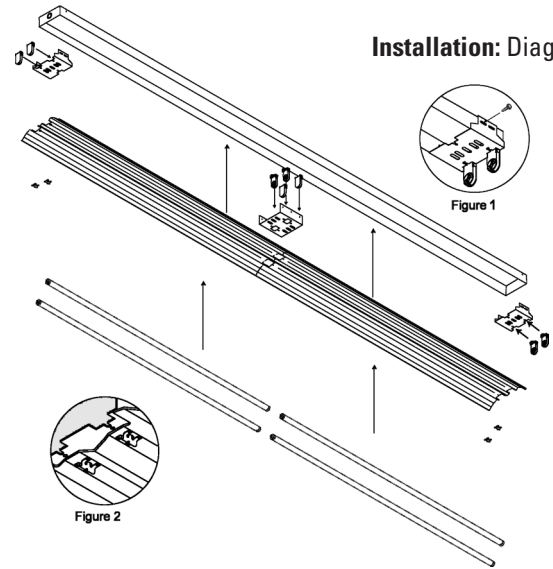
6' and 8'

reflect-a-light™

Preparation: Diagram 1



Installation: Diagram 2



WARNING - Risk of fire or electric shock. Reflector Kit installation requires knowledge of fluorescent lighting luminaires electrical systems. If not qualified, do not attempt installation. Contact a qualified electrician.

WARNING - Risk of fire or electric shock. Luminaire wiring, ballast, or other electrical parts may be damaged when drilling for installation or reflector kit hardware. Check for enclosed wiring and components.

WARNING - Risk of fire or electric shock. Do not alter, relocate, or remove wiring, lampholders, ballasts, or any other electrical component under live power.

WARNING - To prevent wiring damage or abrasion, do not expose wiring to edges of sheet metal or other sharp objects.

WARNING - Risk of fire or electric shock. Install this kit only in the luminaire that has construction features and dimensions shown in diagrams 1 & 2.

LUMINAIRE APPLICABILITY

The KSH, KSL, and KSS series fits all indoor 6' or 8' flush, pendant, gripple, or chain mounted strip luminaire.

PARTS LIST

1 Bracket:	BSA-UB	(2)
2 Bracket:	CSA-UB	(1)
3 Reflector:	RS(x)	(2)
4 Quarter Turns:	QT-1	(8)
5 Screws:	TK-1	(9)
6 Sockets:	SOFL-200-S	(4)
	or SOFL-200-N	
	or SOFL-621-N	

FIXTURE PREPARATION

- 1 Remove lamps, ballast pan, ballast, and socket brackets. (Diagram 1)
- 2 Install ballast and connect to sockets according to ballast manufacturer's specifications.
- 3 Place sockets in brackets as shown in (fig. 1)
- 4 Channel socket wires through existing channel and mount brackets as shown in (fig. 1)
- 5 To ensure proper lamp alignment, socket bracket must be placed firmly against luminaire endcaps. (fig. 1)
- 6 Insert and tighten screws (fig. 1) into prepunched slots once the bracket has been placed correctly. (Any two matching slots may be used)
- 7 Repeat steps 5 & 6 at opposite end of luminaire.

REFLECTOR INSTALLATION

- 1 Peel back about one inch of the protective film from each end of the reflector.
- 2 Install reflector (fig. 2) by aligning holes in reflector over bracket slots and then affix by inserting quarter turns (Part 3) through reflector and bracket. Turn quarter turn either clockwise or counter-clockwise to secure the reflector (fig. 2)
- 3 Peel protective film completely off.
- 4 Install lamps making sure to properly seat them to the back of the sockets.

CAUTION

- 1 Only use prepunched slots provided with kit to alter luminaire
- 2 Do not leave any other open holes in the enclosure of wiring & electrical components.
- 3 Do not make or alter any open holes in enclosure of wiring & electrical components.
- 4 To prevent scratching the surface of reflector, do not peel protective film until installation is complete.