

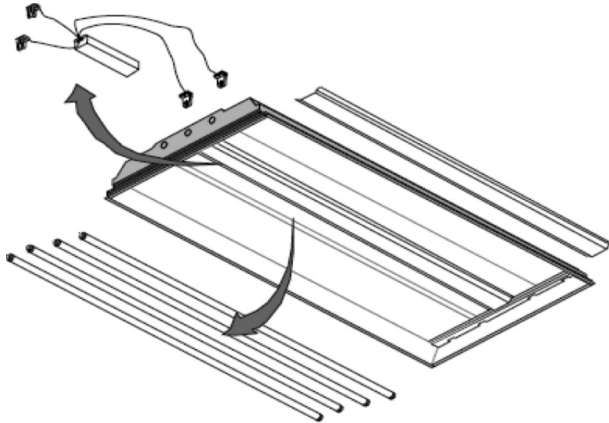
INSTALLATION

KPH SERIES Installation Procedures

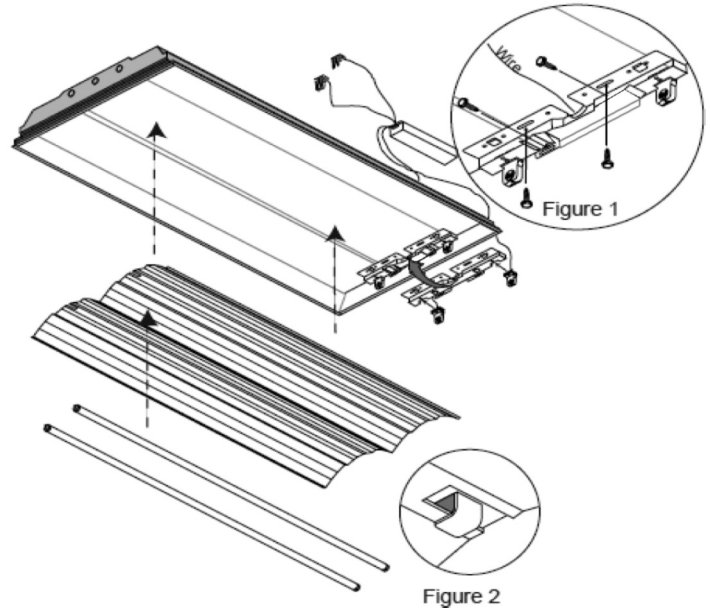
2x2 and 2x4

reflect-a-light™

Preparation: Diagram 1



Installation: Diagram 2



WARNING - Risk of fire or electric shock. Reflector Kit installation requires knowledge of fluorescent lighting luminaires electrical systems. If not qualified, do not attempt installation. Contact a qualified electrician.

WARNING - Risk of fire or electric shock. Luminaire wiring, ballast, or other electrical parts may be damaged when drilling for installation or reflector kit hardware. Check for enclosed wiring and components

WARNING - Risk of fire or electric shock. Do not alter, relocate, or remove wiring, lampholders, ballasts, or any other electrical component under live power.

WARNING -To prevent wiring damage or abrasion, do not expose wiring to edge.

WARNING - Risk of fire or electric shock. Install this kit only in the luminaire that has construction features and dimensions shown in diagrams 1 & 2 of sheet metal or other sharp objects.

LUMINAIRE APPLICABILITY

The KPH series fits in 2x2 and 2x4 indoor recessed ceiling luminaires originally containing 2, 3, or 4 lamps. The kit is used to convert luminaire to 2 lamp T8 or T5, with minimum luminaire depth of 2.625 inches.

PARTS LIST

1 Bracket:	BPH	(2)
2 Reflector:	RPH	(1)
3 Screws:	TK-1	(5)
4 Sockets:	SOFL-200-S or SOFL-200-N or SOFL-621-N	(4)

FIXTURE PREPARATION

- 1 Remove lamps, ballast pan, ballast, and socket brackets.
- 2 Install ballast and connect to sockets according to ballast manufacturer's specifications.
- 3 Place sockets in brackets as shown in (fig. 1)
- 4 Run socket wires under and through archway in middle of bracket as shown in (fig. 1)
- 5 To ensure proper lamp alignment, socket bracket must be centered in top of fixture and firmly against luminaire enclosure.
- 6 Insert and tighten screws (fig. 1) into prepunched slots once the bracket is centered. (Any two matching slots may be used)
- 7 Repeat steps 5 & 6 at opposite end of luminaire.

REFLECTOR INSTALLATION

- 1 Peel back about one inch of the protective film from each end of the reflector.
- 2 Install reflector utilizing the two tabs on the BPH bracket located directly under the lamps shown in (fig. 2)
- 3 Peel protective film completely off.
- 4 Install lamps making sure to properly seat them to the back of the sockets.
- 5 Reattach louver.

CAUTION

- 1 Only use prepunched slots provided with kit to alter luminaire
- 2 Do not leave any other open holes in the enclosure of wiring & electrical components.
- 3 Do not make or alter any open holes in enclosure of wiring & electrical components.
- 4 To prevent scratching the surface of reflector, do not peel protective film until installation is complete.