

# SWW - Wide Wrap Fixture

## Application

The SWW series is a 15" wide surface or pendant mount luminaire suitable for all applications, including commercial and retail. Available in 2, 3, 4 or 6 lamp T8 or T5 configurations.

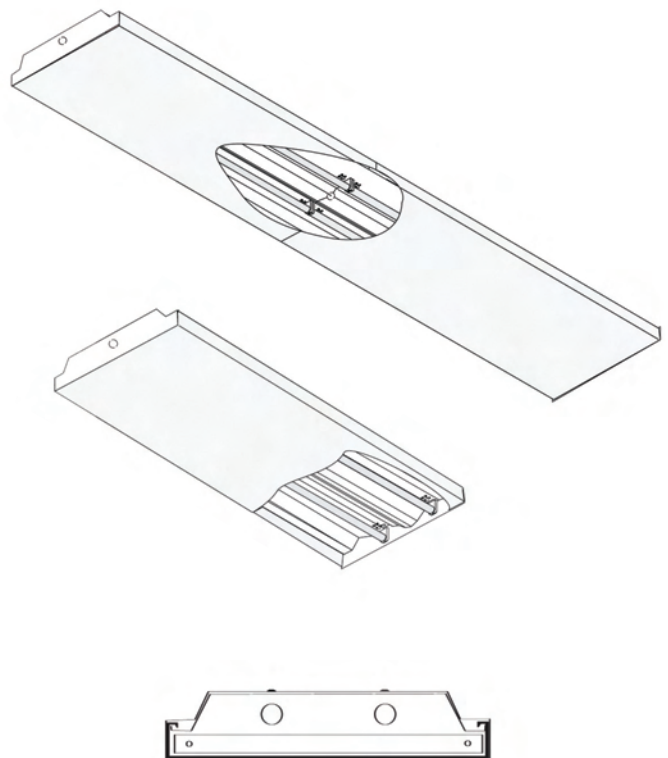
## Construction

Die formed code gauge steel housing. All painted metal parts are pretreated with a phosphate bonding process and painted with electrostatically applied high temperature baked white enamel for superior quality and durability.

Reflectors are constructed from the highest quality specular on polished or white aluminum. Material form, fit and thickness meet or exceed all UL 1598 requirements. Computer assisted design provides maximum light output, uniform light distribution, rigid strength and ballast access without the use of tools. The durable surface is highly resistant to scratching and non-abrasive cleaning solutions, making the reflector easy to clean.

## Electrical

Energy saving and electronic Class P, CBM/ETL certified HPF ballast comply with Federal Energy Efficiency Standards; Underwriters Laboratories listed.



*Industry Leaders in Customization + Lead Times for Over 25 Years*



# SWW - Photometrics

reflect-a-light™

Coefficients of Utilization-Zonal Cavity Method Effective Floor Cavity Reflectance 0.20											
RC	80%				70%				50%		
RW	70%	50%	30%	10%	70%	50%	30%	10%	50%	30%	10%
0	99	99	99	99	96	96	96	96	91	91	91
1	91	87	84	81	88	85	82	79	81	78	76
2	84	77	72	68	81	76	71	67	72	68	65
3	77	70	64	59	75	68	62	58	65	60	56
4	72	63	56	51	70	61	55	51	59	54	49
5	66	56	50	44	64	55	49	44	53	48	43
6	61	51	44	39	60	50	44	39	48	43	39
7	57	47	40	35	55	46	39	35	44	38	34
8	53	42	36	31	51	41	35	31	40	34	30
9	49	38	32	27	48	38	31	27	35	31	27
10	46	35	29	24	44	34	28	24	33	28	24

**Catalog Number:**  
SWW-23248-SA-N

**Lamps:**  
Two F32T8

**Ballast:**  
Electronic 2-F32IS

**Plane:** 0-DEG 90-DEG  
**Spacing Criteria:** 1.2 0.9  
**Efficiency:** 83.5%  
**Photometric Certified by:** Luminaire Testing Laboratory  
**Report No.:** LTL01502

Coefficients of Utilization-Zonal Cavity Method Effective Floor Cavity Reflectance 0.20											
RC	80%				70%				50%		
RW	70%	50%	30%	10%	70%	50%	30%	10%	50%	30%	10%
0	99	99	99	99	96	96	96	96	91	91	91
1	91	87	84	81	88	85	82	79	81	78	76
2	84	77	72	68	81	76	71	67	72	68	65
3	77	70	64	59	75	68	62	58	65	60	56
4	72	63	56	51	69	61	55	51	59	54	49
5	66	56	49	44	64	55	49	44	53	47	43
6	61	51	44	39	60	50	44	39	48	43	38
7	57	47	40	35	55	46	39	35	44	38	34
8	53	42	36	31	51	41	35	31	40	34	30
9	49	38	32	27	48	38	31	27	36	31	27
10	45	35	29	24	44	34	28	24	33	28	24

**Catalog Number:**  
SWW-43296-SA-N

**Lamps:**  
Four F32T8

**Ballast:**  
Electronic 4-F32IS

**Plane:** 0-DEG 90-DEG  
**Spacing Criteria:** 1.2 0.9  
**Efficiency:** 83.5%  
**Photometric Certified by:** Luminaire Testing Laboratory  
**Report No.:** LTL03783

## Fixture Ordering Guide

<b>SWW</b> Series	<b>2</b> Lamps	<b>32</b> Wattage	<b>48</b> Length	<b>EA</b> Material	<b>N</b> Ballast
----------------------	-------------------	----------------------	---------------------	-----------------------	---------------------

**Series**  
SWW - Wide Wrap

**No. of Lamps**  
2 - Two Lamps  
3 - Three Lamps  
4 - Four Lamps  
6 - Six Lamps

**Lamp Wattage**  
14 - 14 Watt T5  
17 - 17 Watt T8  
28 - 28 Watt T5  
32 - 32 Watt T8  
54 - 54 Watt T5

**Fixture Length**  
24 - 24 Inches  
48 - 48 Inches  
96 - 96 Inches

**Material Type**  
EA - 95% Enhanced Aluminum  
SA - 86% Specular Aluminum  
WA - 91% White Aluminum  
MA - 93% Micro Aluminum

**Electronic Ballast Options**  
H - High Power  
N - Normal Power  
L - Low Power  
4 - 480 Volt

Download catalog PDF's, IES files and cutsheets on our website.



www.usenergysciences.com  
1.800.537.1629

**US Energy Sciences**  
reflecting technology™