

# SMN - 1X4 Surface Mount with Acrylic Lens

## Application

The SMN series 1X4 Surface Mount is an economical and efficient design for quality lighting in commercial, retail and institutional applications. Long recognized as a standard in luminaires, this acrylic lens luminaire offers low cost maintenance with exceptional light output. For surface mount applications. Available in 1 or 2 lamp T5 or T8 configurations.

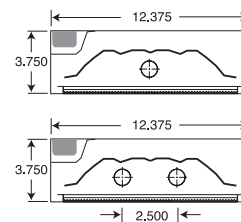
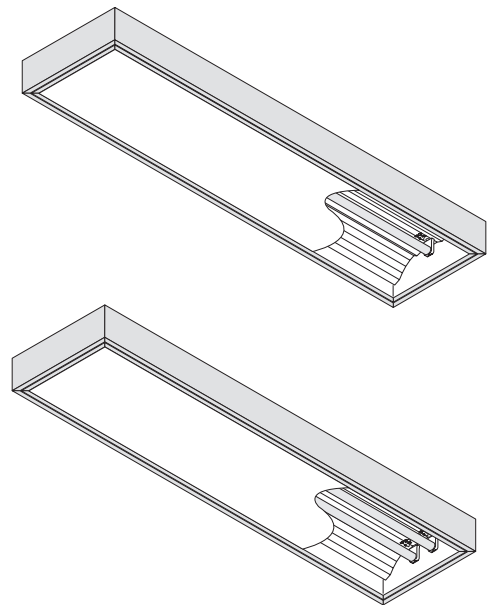
## Construction

Die formed steel housing. Corners are internally overlapped and welded for crisp appearance without light leakage. Doors are sealed to prevent light leakage. Doors can be removed easily without tools. All painted metal parts are pretreated with phosphate bonding process and painted with electrostatically applied high temperature baked white enamel for superior quality and durability.

Reflectors are constructed from highest quality specular on polished or white aluminum. Material form, fit and thickness meet or exceed all UL 1598 requirements. Computer assisted design provides maximum light output, uniform light distribution, rigid strength and ballast access without the use of tools. All surfaces are highly resistant to scratching and non-abrasive cleaning solutions, making the reflectors easy to clean.

## Electrical

Energy saving and electronic Class P, CBM/ETL certified HPF ballast comply with Federal Energy Efficiency Standards; Underwriters Laboratories listed.



*Industry Leaders in Customization + Lead Times for Over 25 Years*



# SMN - 1X4 Surface Mount Photometrics

reflect-a-light™

Coefficients of Utilization-Zonal Cavity Method Effective Floor Cavity Reflectance 0.20												
RC	80%				70%				50%			
RW	70%	50%	30%	10%	70%	50%	30%	10%	50%	30%	10%	
0	83	83	83	83	81	81	81	81	78	78	78	
1	77	75	72	70	75	73	71	69	70	68	67	
2	72	67	63	60	70	66	62	59	63	60	58	
3	66	60	56	52	65	59	55	51	57	53	50	
4	62	54	49	45	60	54	49	45	52	48	44	
5	57	49	43	39	55	48	43	39	47	42	39	
6	53	44	39	35	51	44	38	35	43	38	34	
7	49	40	35	31	48	40	34	31	39	34	30	
8	45	36	31	27	44	36	30	27	35	30	27	
9	42	33	27	23	41	32	27	23	31	27	23	
10	39	30	24	21	38	29	24	21	29	24	21	

**Catalog Number:**  
SMN-13214-SA-N

**Lamps:**  
One F32T8

**Ballast:**  
Electronic 1-F32IS

**Plane:** 0-DEG 90-DEG  
**Spacing Criteria:** 1.2 1.3  
**Efficiency:** 69.8%  
**Photometric Certified by:** Luminaire Testing Laboratory  
**Report No.:** LTL03678

Coefficients of Utilization-Zonal Cavity Method Effective Floor Cavity Reflectance 0.20												
RC	80%				70%				50%			
RW	70%	50%	30%	10%	70%	50%	30%	10%	50%	30%	10%	
0	82	82	82	82	81	81	81	81	77	77	77	
1	77	74	72	69	75	73	70	68	70	68	68	
2	71	67	63	59	70	65	62	59	63	60	57	
3	66	60	55	52	65	59	55	51	57	53	50	
4	61	54	49	45	60	53	49	45	52	48	44	
5	57	49	44	40	55	48	43	39	47	42	39	
6	53	45	39	36	52	44	39	35	43	38	35	
7	49	41	35	31	48	40	35	31	39	34	31	
8	45	37	31	27	44	36	31	27	35	31	27	
9	42	33	28	24	41	33	28	24	32	27	24	
10	39	30	25	22	38	30	26	22	29	25	21	

**Catalog Number:**  
SMN-23214-SA-N

**Lamps:**  
Two F32T8

**Ballast:**  
Electronic 2-F32IS

**Plane:** 0-DEG 90-DEG  
**Spacing Criteria:** 1.1 1.1  
**Efficiency:** 69.2%  
**Photometric Certified by:** Luminaire Testing Laboratory  
**Report No.:** LTL03679

## Fixture Ordering Guide

<b>SMN</b> Series	<b>2</b> Lamps	<b>32</b> Wattage	<b>14</b> Length x Width	<b>EA</b> Material	<b>N</b> Ballast
----------------------	-------------------	----------------------	-----------------------------	-----------------------	---------------------

**Series**  
SMN - Surface Mount  
Narrow

**Lamp Wattage**  
32 - 32 Watt T8  
54 - 54 Watt T5

**Fixture Size  
(Length x Width)**  
14 - 1x4

**Material Type**  
EA - 95% Enhanced Aluminum  
SA - 86% Specular Aluminum  
WA - 91% White Aluminum  
MA - 93% Micro Aluminum

**Electronic Ballast Options**  
H - High Power  
N - Normal Power  
L - Low Power  
4 - 480 Volt

**No. of Lamps**  
1 - One Lamp  
2 - Two Lamps

Download catalog PDF's, IES files and cutsheets on our website.



www.usenergysciences.com  
1.800.537.1629

**US Energy Sciences**  
reflecting technology™