

# SKF FIXTURES

## Residential Solutions

### Application

Economical and efficient design for quality lighting in commercial, residential and institutional surface mount applications. The SKF Series uses either 13-watt, 18-watt or 36-watt compact fluorescent lamps and is ideal for halls, closets or anywhere as an incandescent replacement.

### Construction

Die formed code gauge steel housing. All painted metal parts are pretreated with a phosphate bonding process and painted with electrostatically applied high temperature baked white enamel for superior quality and durability. Lens is white acrylic for durability.

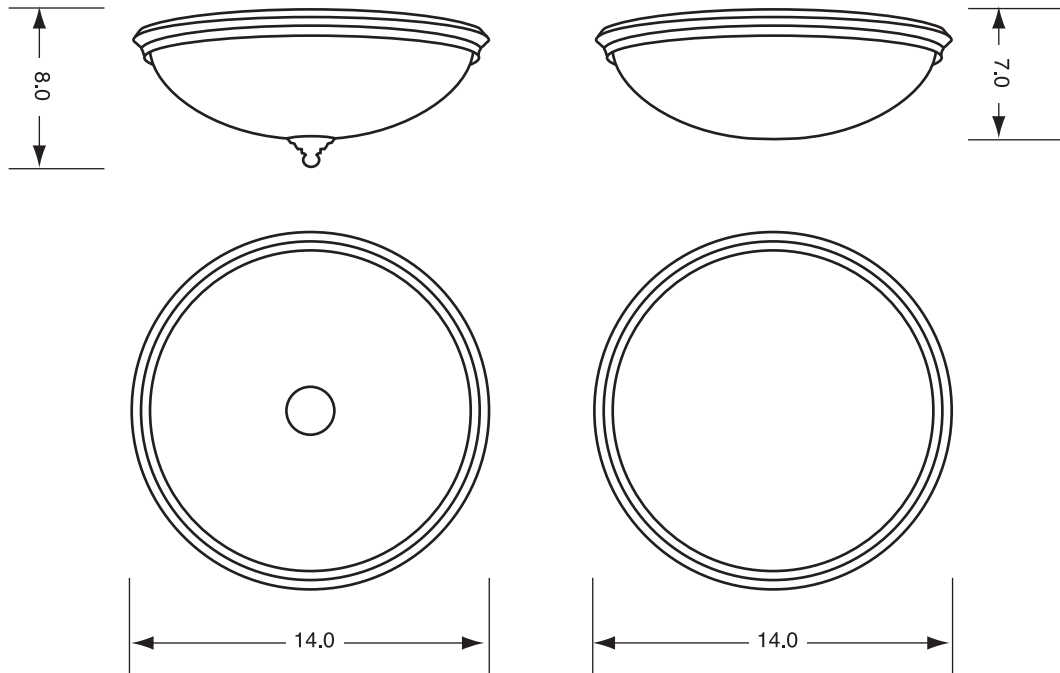
### Electrical

Energy saving and electronic Class P, CBM/ETL certified HPF ballast comply with Federal Energy Efficiency Standards; Underwriters Laboratories Inc. listed.



reflect-a-light™

# SKF FIXTURES



## Ordering Guide

<p><b>SKF</b> Series</p>	<p><b>13</b> Wattage</p>	<p><b>W</b> Color</p>
<p><b>Series</b> SKF - Surface Mount</p>	<p><b>Lamp Wattage</b> 13 - 13 Watt 18 - 18 Watt 36 - 36 Watt</p>	<p><b>Fixture Color</b> W - White Finish BR - Brass Finish NI - Nickel Finish</p>

Spec sheet available upon request.

All photometric reports and IES files are compiled by independent testing laboratories.

1.800.537.1629 [www.usenergysciences.com](http://www.usenergysciences.com)

